

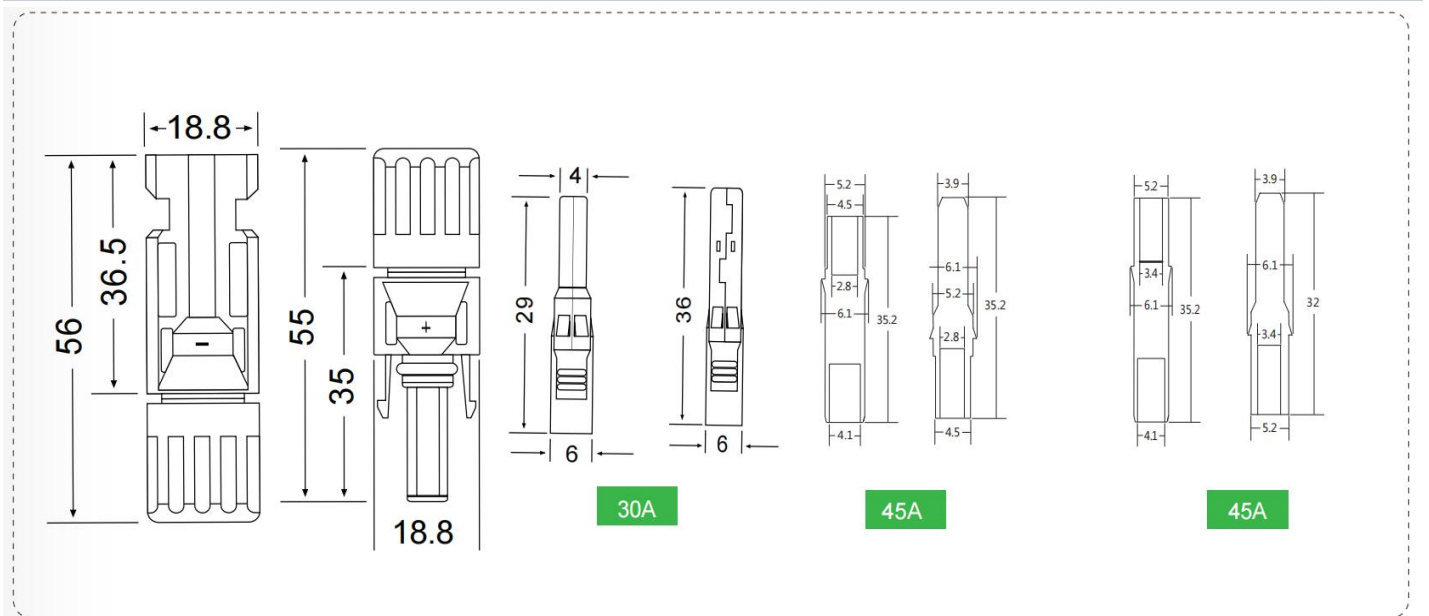
# PV CONNECTOR

## 1000VDC Type

### Main Technical Data

Metal Plug System	Φ 2.5mm Φ 4mm Φ 6mm
Rated Voltage	1000V DC
Rated Current	30A (2.5mm <sup>2</sup> , 4mm <sup>2</sup> , 6mm <sup>2</sup> ; 14AWG, 12AWG, 10AWG) 45A (4mm <sup>2</sup> , 6mm <sup>2</sup> ; 12AWG, 10AWG)
Test Voltage	6kV (50HZ, 1min.)
Ambient Temperature Range	IEC: -40°C...+90°C UL: -40°F...+194°F
Upper Limiting Temperature	IEC: +105°C
Degree Of Protection	IP67
Touch Protection, Unmated State	IP2X
Contact Resistance Of Plug Connector	0.5 mΩ
Safety Class	II
Terminal Material	Copper tin plating/copper silver plating
Insulation Materials	PC/PP0
Locking System	Snap-in
Flame Retardant Level	UL-94-Vo
Corrosion Test Level	IEC 60068-2-52

### Dimension Reference (mm)



# PV CONNECTOR

## 1500VDC Type

### Main Technical Data

Metal Plug System	Φ 2.5mm Φ 4mm Φ 6mm Φ 10mm Φ 16mm
Rated Voltage	1500V DC
Rated Current	30A (2.5mm <sup>2</sup> , 4mm <sup>2</sup> , 6mm <sup>2</sup> ; 14AWG, 12AWG, 10AWG) 45A (4mm <sup>2</sup> , 6mm <sup>2</sup> ; 12AWG, 10AWG) 60A (10mm <sup>2</sup> ; 8AWG) 80A (16mm <sup>2</sup> ; 7AWG)
Test Voltage	6kV (50HZ, 1min.)
Ambient Temperature Range	IEC: -40°C...+90°C UL: -40°F...+194°F
Upper Limiting Temperature	IEC: +105°C
Degree Of Protection	IP67
Touch Protection, Unmated State	IP2X
Contact Resistance Of Plug Connector	0.5 mΩ
Safety Class	II
Terminal Material	Copper tin plating/copper silver plating
Insulation Materials	PC/PPO
Locking System	Snap-in
Flame Retardant Level	UL-94-Vo
Corrosion Test Level	IEC 60068-2-52

### Dimension Reference (mm)

