

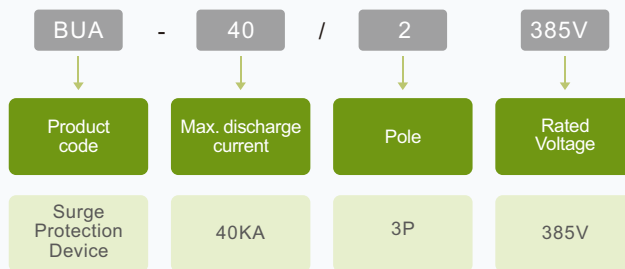
Application

ZBENY BUA-40 Surge Protection Device was designed and manufactured ,complying standard GB 18802.1, Rated voltage 385V, Maximum discharge current 40KA,High Energy Varistor, high effective for lightning protection.

Appearance Introduction



Type Instruction



Parameter

| BUA-40 Surge Protection Device | |
|--|---|
| Pole | 1P/2P/3P/4P |
| Standard | GB 18802.1 |
| Electrical Characteristics | |
| Category IEC/EN | IEC II/EN2 |
| Max Continuous Operational Voltage U_c | 385V AC |
| Nominal Discharge Current $I_n(8/20)\mu s$ | 20KA |
| Maximum Discharge Current $I_{max}(8/20)\mu s$ | 40KA |
| Voltage Protection Level U_p | $\leq 1.8KV$ |
| Response Time | $\leq 25ns$ |
| Contol and Indication | |
| Operating State/fault Indication | Green/Red |
| Plug-in Protection Module | ■ |
| Remote Signalling Contact (Optional) | Max. Working Voltage(V) Max. Working Current |
| | 30V DC 1A |
| Connection And Installation | |
| Wire | Hard cable mm^2 Flexible cable mm^2 |
| | 4~25 4~16 |
| Terminal Screws | M5 |
| Torque(Nm) | Main Circuit Remote Contact |
| | 2.5 0.25 |
| Degree of Protection | IP20 |
| Installation Environment | |
| Operating Temperature Range (TU) | -40°C~ +80°C |
| For Mounting on | TH35-7.5/DIN35 |
| Relative Humidity | 30%~90% |

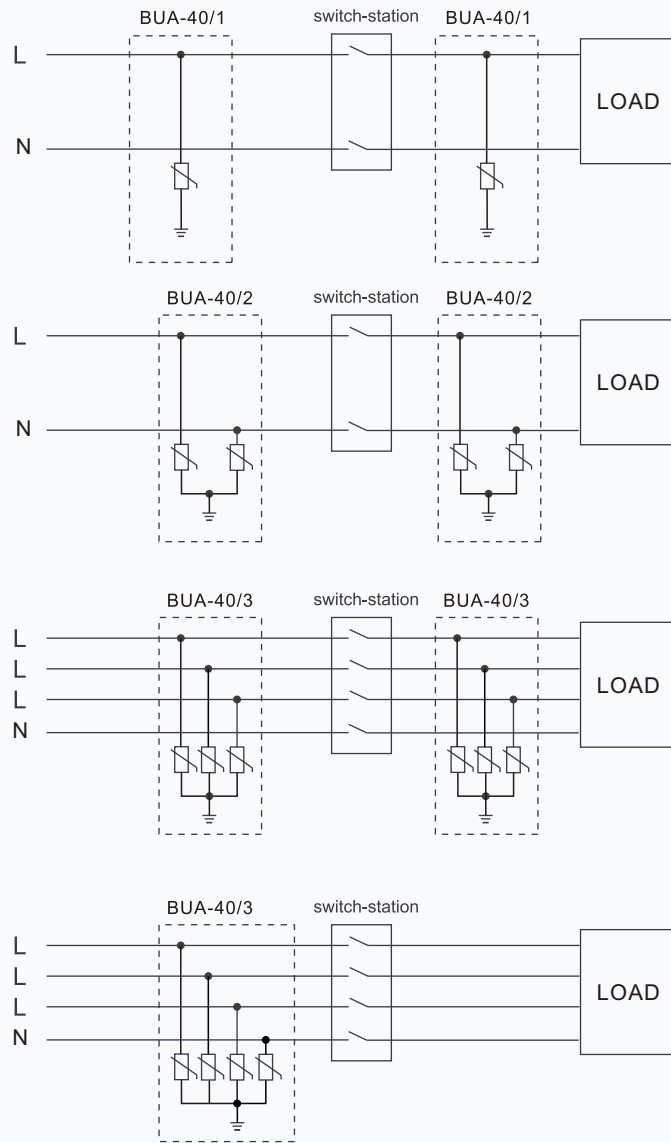
- 1 Brand
- 2 Type
- 3 Max. Discharge Current I_{max}
- 4 Nominal Discharge Current I_n
- 5 Voltage Protection Level U_p
- 6 Max. Continuous Operating Voltage U_c
- 7 Indicator
- 8 Standard Code
- 9 Certificate Symbol

- Prewired Modular Complete Unit, Consisting of A Base Part and Plug-in Protection Modules
- Plug-in Protection Module, Easily Installation and Maintainance
- High Energy Varistor, Response Time Less Than 25 Nanosecond
- Optional Remote Signalling Contact(FM) for Monitoring Device
- (Floating Changeover Contact) Din Rail Mounting TH35-7.5/DIN35

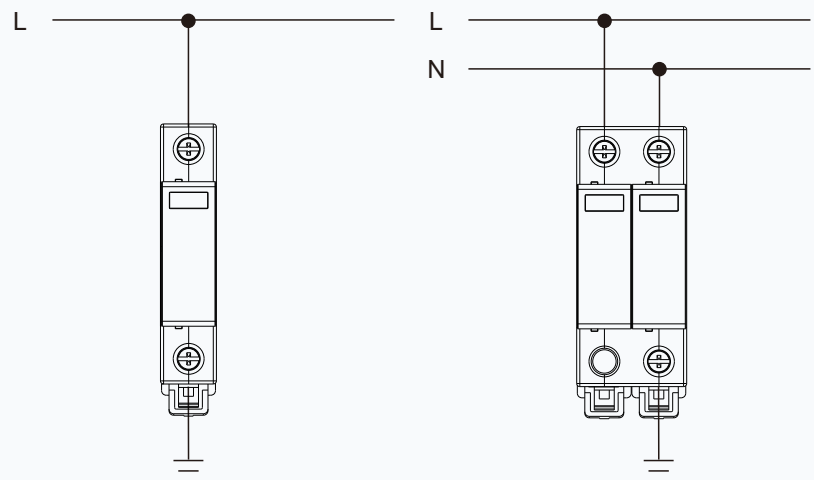
BUA-40

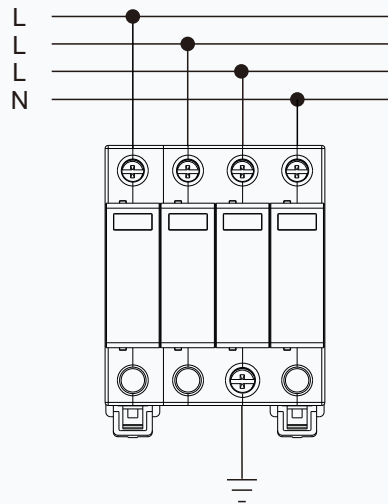
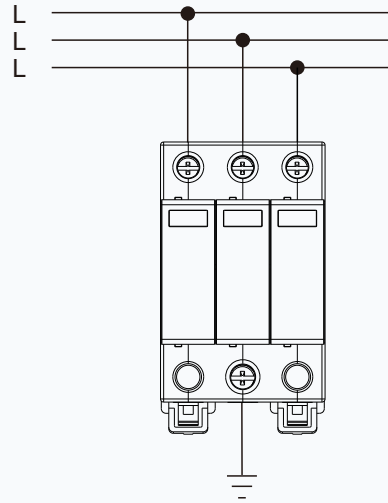
Surge Protection Device

Principal Drawing



Wiring Method





Dimensions(mm)

