

DC Fuse for Photovoltaic Systems

FRPV1-32

Class II • Type 2



Usage scenarios: photovoltaic combiner boxes,
photovoltaic strings, DC circuits, inverters, etc.

Standard: IEC60947-3, IEC60269-6

Product functions: short circuit protection, overload protection,
cannot operate with load

Technical Data

FRPV1-32

IEC Electrical	
Fuse Base Rated Current Ie	32A
10*38 Fuse Rated Current In	1,2,3,4,5,6,8,10,12,15,16,20,25,30,32A
10*38 Fuse Link Usage Category	gPV
Rated Impulse Withstand Voltage Uimp	6kV
Rated Insulation Voltage Ui	1000V
Rated Working Voltage Ue	1000V
Rated Breaking Capacity I1	20kA
Rated Power Dissipation Of Fuse	≤4.0W
Usage Categories	DC-PV0
Protection Level	IP20
Terminal Screw Torque	2.0Nm
Terminal Block Wiring Capacity	1.0-10.0mm ²
Installation Type	II, III
Installation Method	TH35-7.5 35mm DIN Rail, EN60715
Working Temperature	-20°C ~ +70°C
Packaging Box Size / Quantity	222*87*74mm 1P-12PCS,2P-6PCS
Packaging Carton Size / Quantity	450*235*310mm 1P-240PCS,2P-120PCS

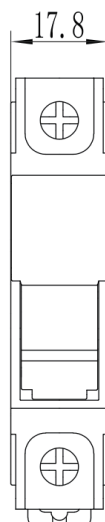
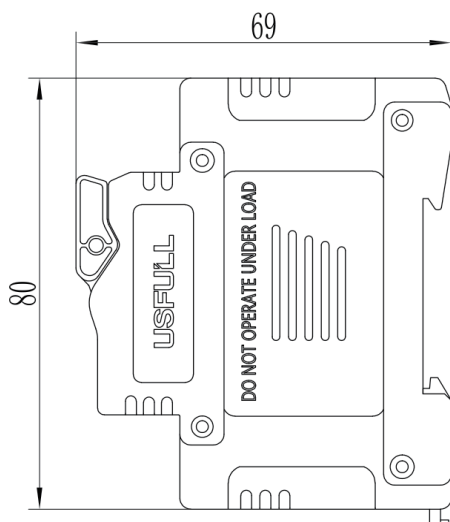
High Altitude Derating

Altitude	≤2000	2000-3000	> 3000	>5000
Rated Working Voltage	1	0.9	0.8	0.7

Ambient Temperature Derating

Ambient Temperature	10	20	30	40	50	60	70
Rated Operating Current	1.03	1	0.96	0.91	0.87	0.82	0.77

Dimensions



Product Connection Wiring Diagram

